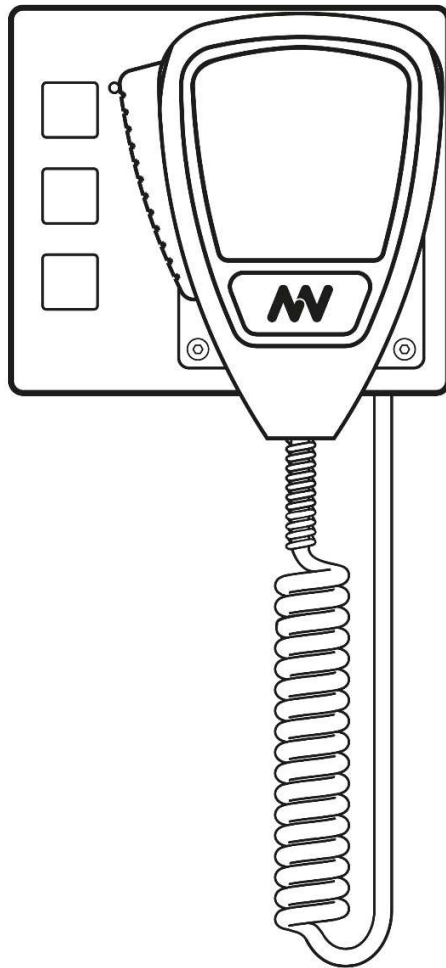





micnode aux – Expansion Unit for micnode 2 Microphone Station


# HARDWARE USER GUIDE



## Conventions used in this manual:

- **WARNING:** Information marked 'Warning' alerts the user to potential situations that could cause personal injury or death.
- **CAUTION:** Alerts the user to possible damage to equipment or property. By not following the instructions, the damage caused to the equipment may not be covered under warranty.
- **IMPORTANT!** indicates instructions or information that are vital to the successful completion of the procedure.
- **NOTE** is used to indicate additional useful information.

 The intent of the lightning flash with arrowhead symbol in a triangle is to alert the user to the presence of un-insulated "dangerous" voltage within the product's enclosure that may be of sufficient magnitude to constitute a risk of electric shock to humans.

 The intent of the exclamation point within an equilateral triangle is to alert the user to the presence of important safety, and operating and maintenance instructions in this manual.

### WARNING

1. To prevent the risk of electric shock, only qualified personnel should remove the cover.
2. Before servicing, disconnect the power supply.
3. Don't expose the device or its equipment to water, rain, or any other liquids or liquid cleaners, as it may cause fire or electric shock.

### IMPORTANT SAFETY INSTRUCTIONS

- Operating temperature of the device - range 32°F – 122°F (0°C–50°C), storage temperature - range 14°F to 140°F (-10°C–60°C).
- Power sourced 12V from micnode2 microphone station.
- Relative humidity range during storage: 10% to 85% humidity (non-condensing).

- Read these instructions.
- Keep these instructions.
- Heed all warnings.
- Follow all instructions.
- Do not use this apparatus near water.
- Clean only with a dry cloth.
- Do not block any ventilation opening. Install in accordance with the manufacturer's instructions
- Do not install near any heat sources such as radiators, heat registers, stoves, or other apparatus (including amplifiers) that produce heat.
- Protect the power cord from being walked on or pinched particularly at plugs, convenience receptacles, and the point where they exit from the apparatus.
- Only use attachments/accessories specified by the manufacturer.
- Refer all servicing to qualified service personnel. Servicing is required when the apparatus has been damaged in any way, such as power-supply cord or plug is damaged, liquid has been spilled or objects have fallen into the apparatus, the apparatus has been exposed to rain or moisture, does not operate normally, or has been dropped.
- Adhere to all applicable, local codes.
- Consult a licensed, professional engineer when any doubt or questions arise regarding a physical equipment installation.

The product is not intended to be installed as a system for providing emergency voice communication or to be installed in areas specified by ANSI/ NFPA 72, "National Fire Alarm Code."

**The device is an accessory of the micnode2 microphone station and cannot be used as a stand-alone unit.**

## Unpacking

1. micnode aux microphone station
2. handheld microphone
3. wall-mounting station holder

## INTRODUCTION

The micnode aux microphone station is an expansion unit for micnode2 microphone station. The device has three zone selection buttons and status LED including a built-in high – quality preamplifier. It is connected to the micnode2 microphone station using a single CAT5 cable which carries audio, data and power.

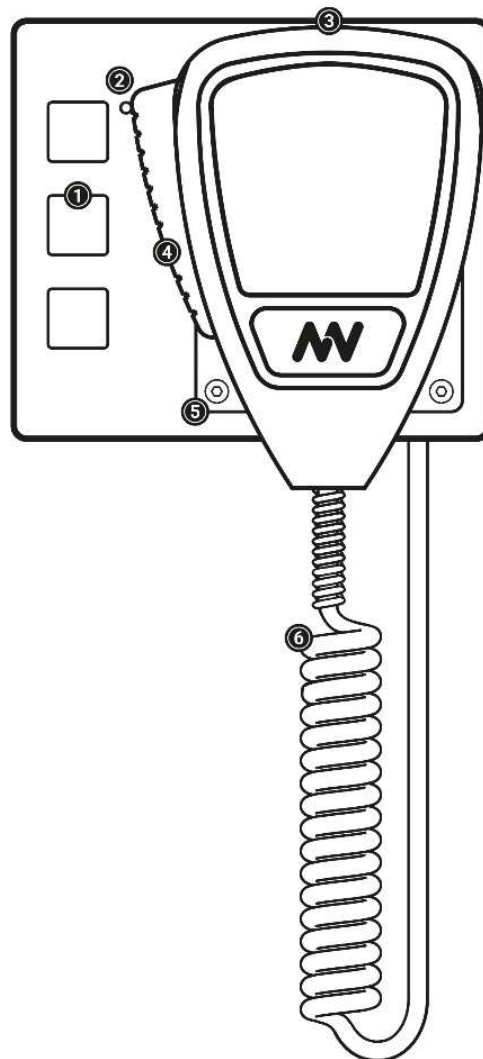
The micnode aux device needs always to be connected to a main micnode2 microphone station. Therefore, this manual assumes that your micnode2 device is configured. This manual describes how to add a micnode aux device to your micnode2 microphone station which is part of an audio configuration.

For further information, please, visit <https://www.nnounce.com/micnode-aux>.

## FEATURES

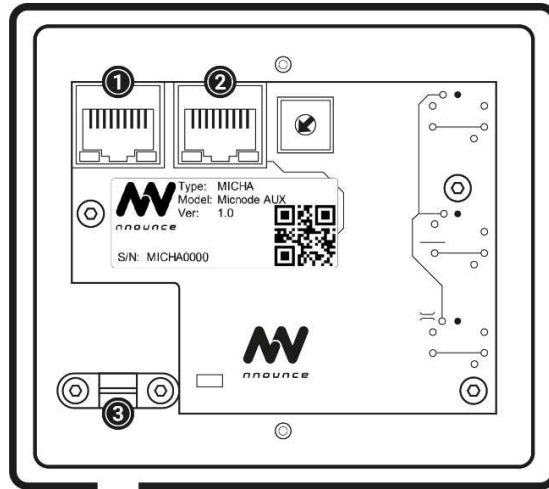
### A. Front panel

1. Zones buttons – 3x
2. Status LED
3. Handheld push-to-talk microphone
4. Button for call activation  
**Note:** The Talk/Start button is directly on the microphone.
5. Magnetic docking plate for microphone
6. Microphone cable



## B. Rear panel

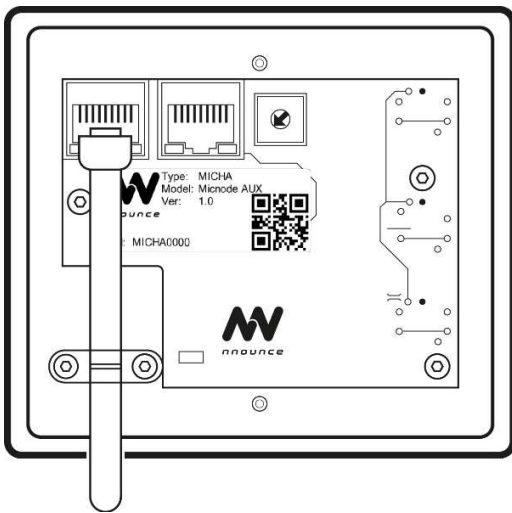
1. Microphone input
2. RJ-45 connector
3. Clamp for microphone cable fixing



## PRELIMINARY OPERATIONS

### Connect the Microphone

Connect the microphone on the rear panel of the micnode aux device to the microphone port.



1. Remove the two screws holding the clamp for cable fixing on the rear panel.
2. Connect the microphone to the port marked as MIC.
3. Secure the microphone cable with the clamp for cable fixing with the two screws.
4. Push the cable through the cutout in the chase.

Use the magnetic docking plate on the front panel to position the microphone.

### Location

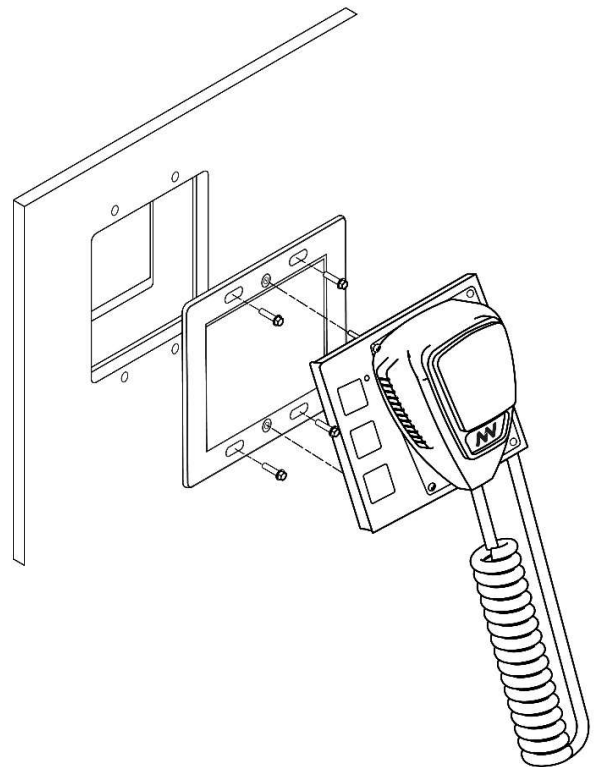
#### Wall-mount the device

For wall-mounting of the micnode aux device prepare the respective place on the wall and the necessary cabling.

**IMPORTANT:** The cutout on the wall should not be larger than 700 x 550 mm.

The screws for mounting the microphone station are not included in the packaging. Use screws that are appropriate for the surface that the device will be mounted to.

1. Prepare the cutout and cables for the device.
2. Remove the two long screws on your device from the docking plate.
3. Use four screws to attach the mounting bracket to the wall and then put the LAN cable through the mounting bracket opening.
4. Attach the device with the two screws from the docking plate to the mounting bracket.



## SET-UP AND OPERATIONS

Connect your micnode aux extension unit to the primary micnode2 microphone station. The CAT5 cable connects the two units and provides power from the micnode2 microphone station to the micnode aux extension device. Configuration of the micnode aux is dependent on the micnode2 configuration.

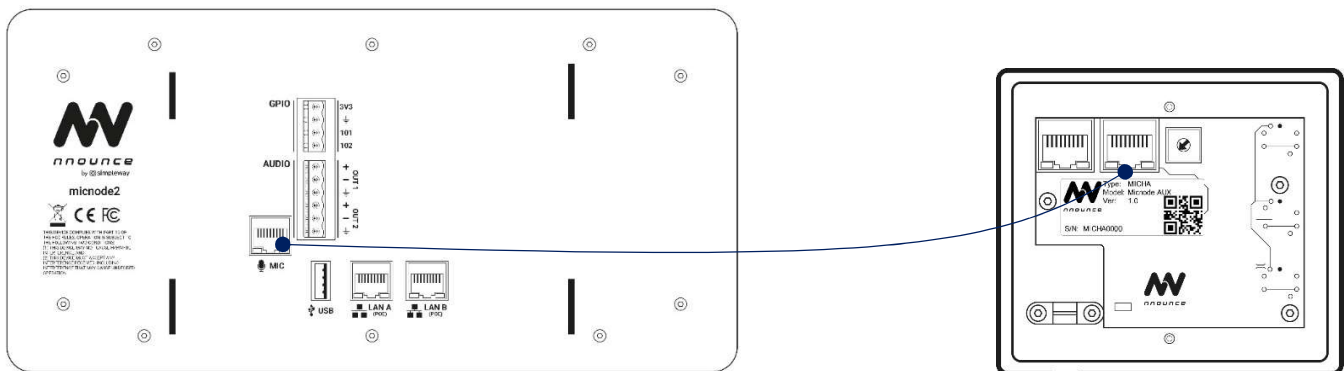
**IMPORTANT:** Connect the two devices by using a CAT5 cable. The cable is not part of the package.

### Connect the Device

Connect your micnode aux device with a CAT5 cable to the MIC port of your micnode2 microphone station.

1. Use the port marked as MASTER on the rear panel of your micnode aux device.
2. Connect the other side of the LAN cable to the micnode2 device to the port marked as MIC.

*micnode2 microphone station and micnode aux rear panel:*



**CAUTION:** The device uses power over a single CAT5 cable from micnode2 device.

## Q-SYS ECOSYSTEM INTEGRATION

To make your micnode aux device operable, configure the microphone station in the Q-SYS designer by adding it in the micnode2 device plugin.

**IMPORTANT:** The micnode aux device uses the same Q-SYS plugin as the micnode2 microphone station.

**NOTE:** How to download the plugin and configure the main microphone station and stream, please see the micnode 2 Hardware user manual.

## Configure Device in Plugin

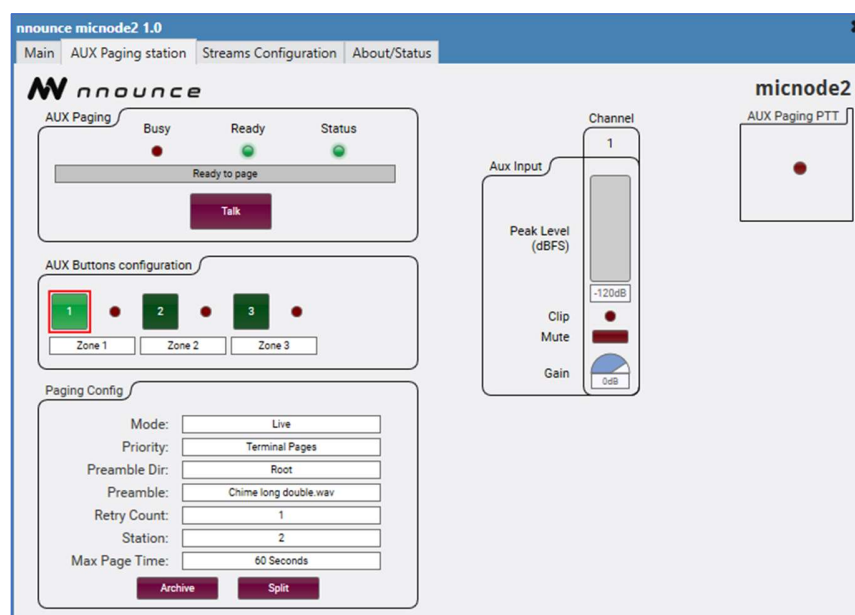
In your Q-SYS Designer find the micnode 2 microphone station plugin which is the main device for your micnode aux extension unit.

**IMPORTANT:** The micnode2 device needs to be connected and your micnode aux extension device is connected with a CAT5 cable to this micnode 2 station.

1. Open the micnode2 plugin and click on the second section “AUX Paging station”.
2. Configure the *zone selection buttons* by assigning an available zone to the button.

**IMPORTANT:** Buttons are numbered from top to bottom on the device.

3. Set up paging properties for your aux device as Mode, Priority etc. according to your audio configuration.



## Announcement triggering

Once the network settings and configuration including zones are set in Q-SYS designer, Live paging can be triggered with the PTT button.

**IMPORTANT:** Which mode is used depends on Paging configuration of your micnode2 device in Q-SYS designer.

1. Select on your micnode aux device the zone/s to which your announcement is to be paged by clicking on the zone selection button/s. The selected button/s will light up.
2. Start your announcement by pressing the Talk/Start button on the microphone side.

## TECHNICAL SPECIFICATIONS

<b>Description</b>	Expansion unit for micnode2
<b>Connectivity</b>	1 x RJ 45 input for connecting a dynamic microphone 1 x RJ45 for connecting to micnode2 aux port
<b>User Interface</b>	Status LED 3 x Zone select button with indicator LED's
<b>Compatibility</b>	micnode2 microphone station
<b>Environmental</b>	Operating temperature range 32 °F – 122 °F (0 °C – +50 °C) Storage temperature range 14 °F to 140 °F (-10 °C – +60 °C)
<b>Power</b>	12V sourced from micnode2
<b>Dimensions</b>	111 mm (W) x 42 mm (D) x 107 mm (H) US 2-gang box compatible 400 g without Microphone
<b>Accessories</b>	Mounting kit, Microphone, Desk stand (optional)

## CONTACT

### Simpleway North America

Address:

1621 Central Avenue  
Cheyenne, Wyoming  
82001  
USA

Tel.: +1(307)248-4033

### Headquarters: Simpleway Europe a.s.

Address:

Na Okraji 335/42  
Prague 6  
162 00  
Czech Republic

Tel.: +420 245 009 855

**Email:** [customer@simpleway.global](mailto:customer@simpleway.global)

**Web:** [www.nnounce.com](http://www.nnounce.com)